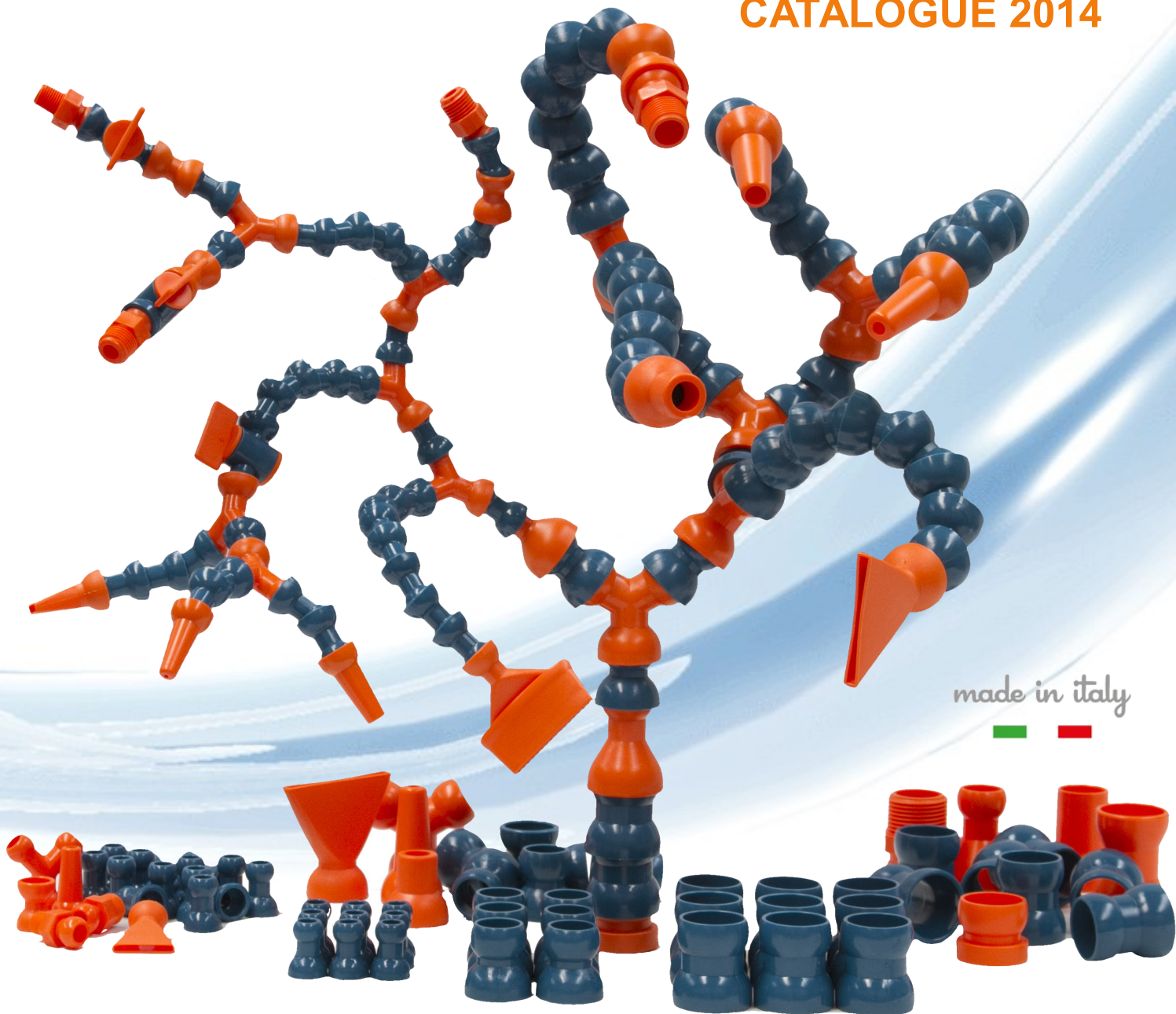




TUBOFLEX

CATALOGUE 2014



made in italy



Modular Coolant Hose System



TUBOFLEX is a universal modular coolant hose system offering maximum flexibility. The wide range of hose joints, nozzles, connectors, Y-junctions and stop valves provides an optimum solution for every cooling and lubrication task.

TUBOFLEX is available in 3 different sizes 1/4", 1/2" and 3/4".

Web Site : www.tuboflex.it - www.tubo-flex.com

TUBOFLEX

Modular Coolant Hose System

“Universal Modular Coolant Hose System
Compatible with most popular
existing systems on the market ”

Thanks to its optimal functionality, this system is used in various industrial sectors, in the field of CNC machines to bring the coolant and in the field of lubrication to bring air or liquids.

Our company can offer a wide range of accessories and flexible solutions including: connector, nozzles of different diameters and range, valves, Y fittings and magnetic bases.

TUBOFLEX is available in 3 different sizes 1/4", 1/2" and 3/4"

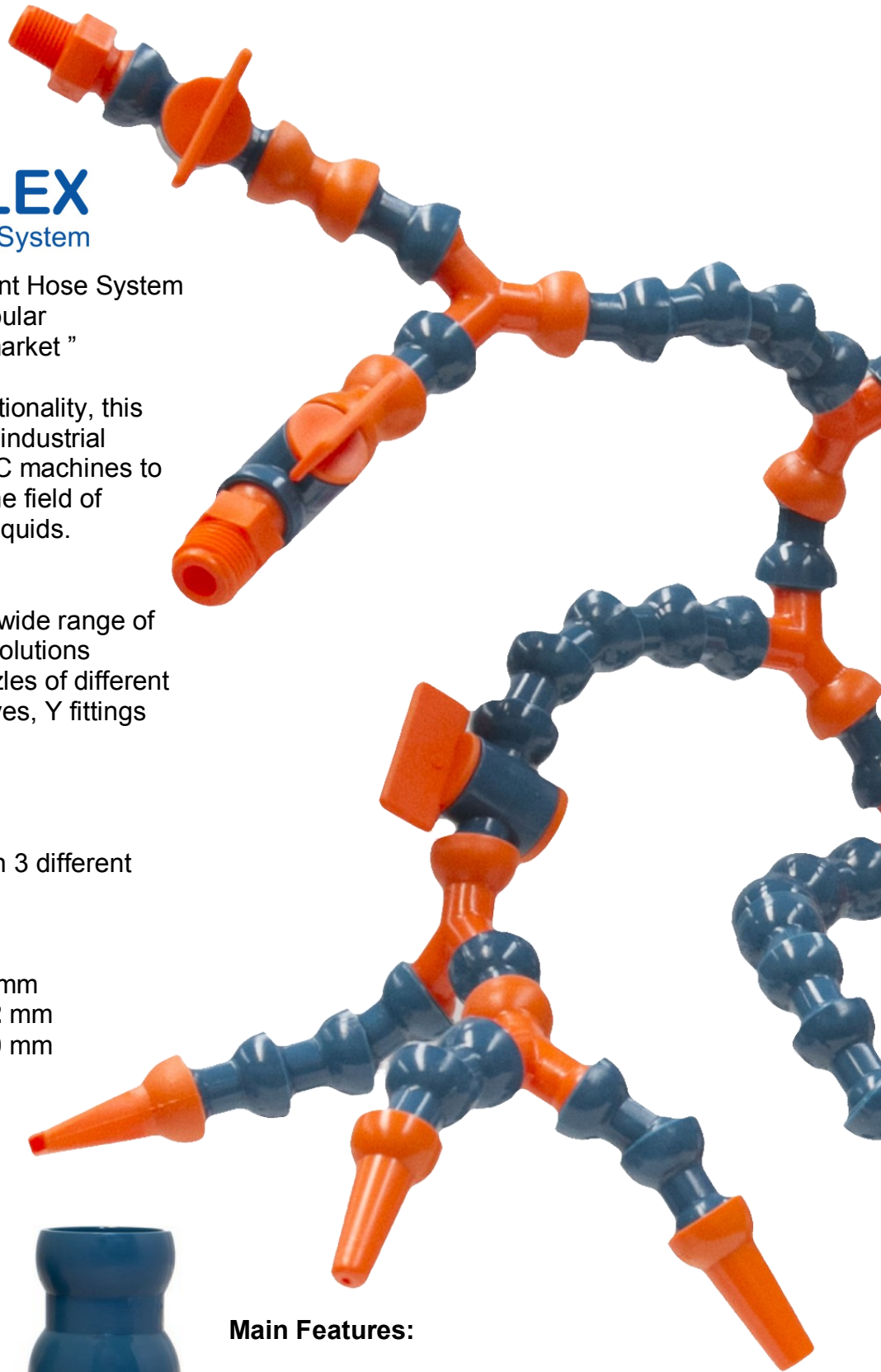
1/4" System Ø internal 7 mm
1/2" System Ø internal 12 mm
3/4" System Ø internal 20 mm



System	Pressure	Range
1/4" - 7 mm	4 Bar	15 l/min
1/2" - 12 mm	2 Bar	30 l/min
3/4" - 20 mm	1,5 Bar	72 l/min

Main Features:

- ◆ Vibration resistant
- ◆ Unalterable by normal chemicals
- ◆ If flexed, diameter and flow remain unchanged
- ◆ No electrical conductor
- ◆ Built with high quality polymers Hostaform





dei F.lli Amodeo snc



**STAMPAGGIO MATERIE PLASTICHE
PROGETTAZIONE E COSTRUZIONE STAMPI**

Via: W. Tobagi, 20081 Abbiategrasso (MI)
Tel.02.9422253 Fax 02.94240059
E-mail: info@aws-stampi.it
Web: www: aws-stampi.it

RoHS and REACH declaration

Abbiategrasso, 1 Gennaio 2013

Ogg.: Dichiarazione RoHS e REACH

La tabella annessa alla Direttiva Europea n° 2002/95/EC del 27/01/2003 ("Restrizione nell'uso di sostanze pericolose nei componenti elettrici ed elettronici" - rif. RoHS) specifica le quantità di Piombo (Pb), Mercurio (Hg), Cadmio (Cd) e Cromo esavalente (Cr) che sono escluse dai requisiti dell'articolo 4. In particolare, il punto 6 della tabella indica: "... lega di rame contenente fino al 4% di piombo."

DICHIARAZIONE RoHS

Le parti in plastica prodotte da AWS snc sono fabbricate con materie plastiche conformi ai requisiti della direttiva europea 2002/95/EC. Presso i nostri uffici sono depositate le dichiarazioni di conformità rilasciate dai nostri fornitori.

Il regolamento REACH (n. 1907/2006) stabilisce che fornitori di prodotti debbano informare i loro clienti riguardo alla presenza di determinate sostanze nei prodotti venduti.

DICHIARAZIONE REACH

AWS snc non produce né importa sostanze chimiche.

Tuttavia, in qualità di *utilizzatore di sostanze*, è stata richiesta ai fornitori adeguata documentazione riguardo allo stato di applicazione del suddetto regolamento. Presso i nostri uffici sono depositate le dichiarazioni di conformità rilasciate dai nostri fornitori.

In caso di necessità sarete tempestivamente informati, al fine di ottemperare agli obblighi previsti dal regolamento.

Re.: RoHS and REACH declaration

The annexed table to the European Directive n° 2002/95/EC dated 27/01/2003 ("Restriction of the use of certain hazardous substances in electrical and electronic equipment" - ref. RoHS) specifies the quantities of Lead (Pb), Mercury (Hg), Cadmium (Cd) and Hexavalent Chromium (Cr) which are exempted from the requirements of article 4. In particular, point 6 of the table indicates: "... copper alloy containing up to 4% lead by weight."

RoHS DECLARATION

Plastic parts made by AWS snc are manufactured with plastic materials consistent to requirements of European directive 2002/95/EC; the declarations of conformity from our suppliers are available and filed in our office.

REACH Regulation (n. 1907/2006) obliges suppliers of articles to inform their customers about the presence of certain substances in articles they are supplying to them.

REACH DECLARATION

AWS snc do not manufacture and import chemical substances. However, as a user of substances, adequate documentation has been asked to suppliers regarding the status of implementation of the Regulation. These declarations of conformity from our suppliers are available and filed in our office.

If need, you will be promptly informed, in order to fulfill its responsibilities under the regulation.

1/4" SYSTEM ID 7 mm

Flexible Segment 1/4"




Article Description	Part.No	Price €
1/4" Hose Segment 310 mm	225.01	€ 4,50
1/4" Hose Segment 1 Mt.	225.11	€ 12,00
1/4" Hose Segment Coil 7,5 Mt.	225.75	€ 90,00
1/4" Hose Segment Coil 15 Mt.	225.15	€ 180,00

Standard colors: 


1/8" NPT Connector



225.02	4 pcs	€ 3,10
225.A02	50 pcs	€ 30,40
Standard colors: 		


1/4" NPT Connector



225.03	4 pcs	€ 3,10
225.A03	50 pcs	€ 30,40
Standard colors: 		


Round Nozzle ID 1,5 mm



225.04	4 pcs	€ 3,10
225.A04	50 pcs	€ 30,40
Standard colors: 		


Round Nozzle ID 3 mm



225.05	4 pcs	€ 3,10
225.A05	50 pcs	€ 30,40
Standard colors: 		


Round Nozzle ID 5 mm



225.13	4 pcs	€ 3,10
225.A13	50 pcs	€ 30,40
Standard colors: 		


Flare Nozzle 24 X 2 mm



225.06	2 pcs	€ 4,65
225.A06	20 pcs	€ 33,00
Standard colors: 		


Flare Nozzle 16 Hole ID 1,5 mm



225.14	2 pcs	€ 6,90
225.A14	20 pcs	€ 55,60
Standard colors: 		


1/4" Double Socket



225.34	4 pcs	€ 3,45
225.A34	20 pcs	€ 13,55
Standard colors: 		

1/4" Y Fitting



225.32	2 pcs	€ 4,65
225.A32	20 pcs	€ 33,00
Standard colors: 		

In-Line Valve 1/4"



225.33	2 pcs	€ 7,80
225.A33	10 pcs	€ 34,80
Standard colors: 		

1/8" Male NPT Valve



225.36	2 pcs	€ 7,80
225.A36	10 pcs	€ 34,80
Standard colors: 		

1/4" Male NPT Valve



225.38	2 pcs	€ 7,80
225.A38	10 pcs	€ 34,80
Standard colors: 		

Plier Assembly System 1/4"



300.14	1 pc	€ 8,00
--------	------	--------

1/2" SYSTEM ID 12 mm

Flexible Segment 1/2"



Article Description	Part.No	Price €
1/2" Hose Segment 320 mm	225.07	€ 5,30
1/2" Hose Segment 1 Mt.	225.12	€ 14,00
1/2" Hose Segment Coil 7,5 Mt.	225.70	€ 110,00
1/2" Hose Segment Coil 15 Mt.	225.17	€ 220,00


Standard colors: 

1/2" NPT Connector



225.25 4 pcs € 3,50

225.A25 50 pcs € 34,80

Standard colors: 

3/8" NPT Connector



225.28 4 pcs € 3,50

225.A28 50 pcs € 34,80

Standard colors: 

Round Nozzle ID 5 mm



225.09 4 pcs € 3,50

225.A09 50 pcs € 34,80

Standard colors: 

Round Nozzle ID 8 mm



225.16 4 pcs € 3,50

225.A16 50 pcs € 34,80

Standard colors: 

Round Nozzle ID 11 mm



225.18 4 pcs € 3,50

225.A18 50 pcs € 34,80


Standard colors: 

1/2" Double Socket



225.35 4 pcs € 3,90

225.A35 20 pcs € 15,50

Colori Standard: 

Flare Nozzle 50 X 2 mm



225.10 2 pcs € 6,00

225.A10 20 pcs € 40,00

Standard colors: 

1/2" BSPT Connector



225.08 4 pcs € 3,50

225.A08 50 pcs € 34,80

Standard colors: 

3/8" BSPT Connector



225.39 4 pcs € 3,50

225.A39 50 pcs € 34,80


Standard colors: 

Adapter 1/2" to 1/4"

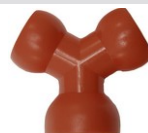


225.22 2 pcs € 3,90

225.A22 20 pcs € 33,00


Standard colors: 

1/2" Y Fitting



225.21 2 pcs € 5,65

225.A21 20 pcs € 40,00

Standard colors: 

Adapter for Loc-Line® 1/2"



225.24 2 pcs € 3,50

225.A24 10 pcs € 15,50

Standard colors: 

1/2" Male Valve



225.50 2 pcs € 10,00

225.A50 10 pcs € 45,00





1/2" Female Valve







225.55 2 pcs € 10,00

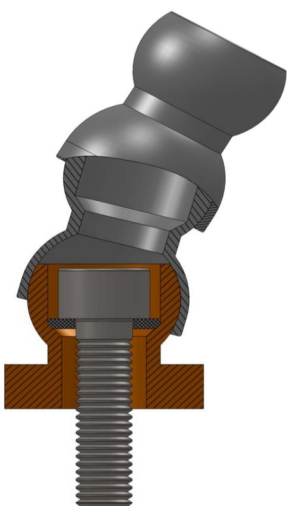
225.A55 10 pcs € 45,00

1/2" SYSTEM ID 12 mm

1/2" Fixed Mount ID 6,4 mm			
	225.41	2 pcs	€ 3,50
	225.A41	20 pcs	€ 30,80
Standard colors: 			
1/2" Fixed Mount ID 10,5 mm			
	225.37	2 pcs	€ 3,50
	225.A37	20 pcs	€ 30,80
Standard colors: 			


1/2" Fixed Mount M8 Threaded			
	225.42	2 pcs	€ 4,30
	225.A42	10 pcs	€ 20,00
Standard colors: 			
Magnetic Base with Mounting Element 1/2			
	225.43	1 pc	€ 12,80
	Standard colors: 		

Fixed Mount 1/2" System




Part.No 225.41
Part.No 225.37


Figure 1



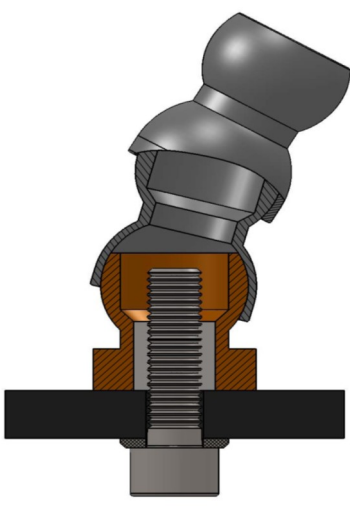
Part.No 225.41
Figure 1



Part.No 225.37
Figure 1



Part.No 225.42
Fixed Mount Thread M8
Figure 2





Part.No 225.42

Figure 2

3/4" SYSTEM ID 20 mm

Flexible Segment 3/4"


	Article Description	Part.No	Price €
	3/4" Hose Segment 300 mm	304.02	€ 8,40
	3/4" Hose Segment Lang 1 Mt.	304.04	€ 23,40
	3/4" Hose Segment Lang 7,5 Mt.	304.06	€ 175,50
	3/4" Hose Segment Lang 15 Mt.	304.08	€ 350,00
Standard colors:			

3/4" NPT Connector



304.10 4 Pcs. € 5,50

304.A10 50 Pcs € 54,20


Standard colors: 

Round Nozzle ID 16 mm



304.12 4 Pcs. € 5,50

304.A12 50 Pcs. € 54,20


Standard colors: 

Round Nozzle ID 19 mm



304.14 4 Pcs. € 5,50

304.A14 50 Pcs. € 54,20

Standard colors: 

Adapter 3/4" to 1/2"



304.16 2 Pcs. € 6,60

304.A16 20 Pcs. € 50,90

Standard colors: 

3/4" Double Socket



304.18 4 Pcs. € 6,90

304.A18 20 Pcs. € 27,70

Standard colors: 

Fixed Mount 3/4" ID 6,4 mm



304.20 2 Pcs. € 5,46

304.A20 20 Pcs. € 54,21

Standard colors:

Fixed Mount 3/4" ID 11,5 mm



304.22 2 Pcs. € 5,46

304.A22 20 Pcs. € 54,21


Standard colors: 

Fixed Mount 3/4" M8



304.24 2 Pcs. € 6,10

304.A24 20 Pcs. € 59,80

Standard colors: 

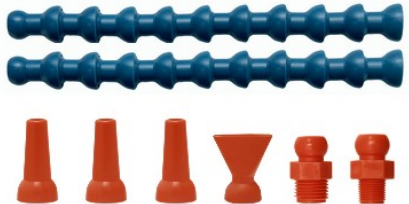
Magnetic Base with Mounting Element 3/4"




304.50 1 Pcs € 12,80

Standard colors: 

1/4" Coolant Hose Kit ID 7 mm

1/4" Coolant Hose Kit			
	Article Description	Part.No	Price €
	Nr.1 1/4" Hose Segment 310 mm Nr.1 1/8" NPT Connector Nr.1 1/4" NPT Connector Nr.1 Round Nozzle ID1,5 mm Nr.1 Round Nozzle ID 3 mm Nr.1 Round Nozzle ID 5 mm Nr.1 Flare Nozzle 25 X 2 mm	225.C14	€ 6,20
	Weight: 48 g		

1/2" Coolant Hose Kit ID 12 mm


1/2" Coolant Hose Kit			
	Article Description	Part.No	Price €
	Nr.1 1/2" Hose Segment 320 mm Nr.1 1/2" NPT Connector Nr.1 3/8" NPT Connector Nr.1 Round Nozzle ID 5 mm Nr.1 Round Nozzle ID 8 mm Nr.1 Round Nozzle ID 11 mm Nr.1 Flare Nozzle 50 X 2 mm	225.C12	€ 7,00
	Weight: 130 g		

3/4" Coolant Hose Kit ID 20 mm

3/4" Coolant Hose Kit			
	Article Description	Part.No	Price €
	Nr.1 3/4" Hose Segment 300 mm Nr.1 3/4" NPT Connector Nr.1 Round Nozzle ID 16 mm Nr.1 Round Nozzle ID 19 mm	225.C34	€ 11,70
	Weight: 112 g		

1/4" Coolant Hose Maxi Kit ID 7 mm

Maxi Kit System 1/4"

	Article Description	Part.No	Price €
	Nr.8 1/4" Hose Segment 140 mm Nr.2 1/8" NPT Connector Nr.4 1/4" NPT Connector Nr.2 Round Nozzle ID Ø 1,5 mm Nr.2 Round Nozzle ID Ø 3 mm Nr.2 Round Nozzle ID Ø 5 mm Nr.2 Flare Nozzle 24 X 2 mm Nr.2 Flare Nozzle 16 Hole ID 1,5 mm Nr.2 1/4" Y Fitting Nr.1 1/4" Double Socket Nr.2 In-Line Valve 1/4" Nr.1 Plier Assembly System 1/4" Weight: 620 g	400.14	€ 45,00

1/2" Coolant Hose Maxi Kit ID 12 mm

Maxi Set 1/2" Coolant Hose

	Article Description	Part.No	Price €
	Nr.4 1/2"Hose Segment 245 mm Nr.4 Connector Npt 1/2" Nr.4 Connector Npt 3/8" Nr.2 Round Nozzle ID 5 mm Nr.2 Round Nozzle ID 8 mm Nr.2 Round Nozzle ID 11 mm Nr.2 Flare Nozzle 50 X 2 mm Nr.2 1/2" Y Fitting Nr.2 1/2" Double Socket Nr.2 Female Valve to 1/2" Male Nr.2 Adapter for Loc-Line ® 1/2" Weight: 900 g	400.12	€ 55,00

3/4" Coolant Hose Maxi Kit ID 20 mm

3/4" Coolant Hose Maxi Kit

	3/4" SYSTEM	400.34	€ 65,00
	Nr.2 3/4" Hose Segment 250 mm Nr.4 Connector Npt 3/4" Nr.2 Round Nozzle ID 16 mm Nr.2 Round Nozzle ID 19 mm Nr.2 Adapter 3/4" to 1/2"		
	1/2" SYSTEM		
	Nr.4 1/2" Hose Segment 125 mm Nr.2 1/2" Y Fitting Nr.2 Round Nozzle ID 5 mm Nr.2 Round Nozzle ID 8 mm Nr.2 Round Nozzle ID 11 mm Nr.4 Flare Nozzle 50 X 2 mm Weight: 620 g		

1/4" Coolant Hose With Valve Set

In-Line Valve 1/4"



Composition Length 330 mm	Part.No	Price €
18 Elements – 1 x In-Line Valve 1/4" – 1 x Round Nozzle ID Ø 1,5-3-5 mm	227.01	€ 9,00

1/8" Male NPT Valve



Composition Length 350 mm	Part.No	Price €
18 Elements – 1 x 1/8" Male NPT Valve – 1 x Round Nozzle ID Ø 1,5-3-5 mm	227.02	€ 9,00

1/4" Male NPT Valve



Composition Length 350 mm	Part.No	Price €
18 Elements – 1 x 1/4" Male NPT Valve – 1 x Round Nozzle ID Ø 1,5-3-5 mm	227.03	€ 9,00

Coolant Hose With Double Connector 1/4" Thread

Coolant Hose With Double Connector 1/8" Thread



Composition Length 270 mm	Part.No	Price €
14 Segments- 1 Double Socket 1/4" - 2 1/8" NPT Connector	227.07	€ 6,00

Coolant Hose With Double Connector 1/4" Thread



Composition Length 270 mm	Part.No	Price €
14 Segments- 1 Double Socket 1/4" - 2 1/4" NPT Connector	227.08	€ 6,00

Applications: Micro lubrication delivery system (MQL)

1/2" Coolant Hose With Valve Set

1/2" Male NPT Valve



Composition Length 350 mm	Part.No	Price €
12 Elements -1 x Male NPT Valve 1/2" - 1 x Round Nozzle ID 5 - 8 - 11 mm	227.05	€ 11,00
12 Elements -1 x Male NPT Valve 3/8" - 1 x Round Nozzle ID 5 - 8 - 11 mm	227.38 MF	€ 11,00

1/2" Female NPT Valve



Composition Length 350 mm	Part.No	Price €
12 Elements -1 x Female NPT Valve 1/2" - 1 x Round Nozzle ID 5 - 8 - 11 mm	227.04	€ 11,00
12 Elements -1 x Female NPT Valve 3/8" - 1 x Round Nozzle ID 5 - 8 - 11 mm	227.38 FF	€ 11,00

Coolant Hose With Double Connector 1/2" Thread

Coolant Hose With Double Connector 1/2" Thread



Composition Length 300 mm	Part.No	Price €
11 Segments - 1 Double Socket - 2 1/2" NPT Connector	227.09	€ 8,00
11 Segments - 1 Double Socket - 2 3/8" NPT Connector	227.38	€ 8,00

Applications: Micro lubrication delivery system (MQL)

3/4" Coolant Hose With Valve Set

3/4" Male NPT Valve



Composition Length 370 mm

Part.No

Price €

10 Elements -1 x Male NPT Valve 3/4" - 1 x Round Nozzle ID 16 - 19 mm

227.34M

€ 28,00

3/4" Female NPT Valve



Composition Length 350 mm

Part.No

Price €

10 Elements -1 x Female NPT Valve 3/4" - 1 x Round Nozzle ID 16 - 19 mm

227.34F

€ 28,00

Coolant Hose With Double Connector 3/4" Thread

Coolant Hose With Double Connector 3/4" Thread



Composition Length 325 mm

Part.No

Price €


9 Elements - 1 Double Socket 3/4" - 2 3/4" NPT Connector

227.10


€ 12,00

Coolant Hose Magnetic Base 1/4"


Plastic Magnetic Base 1/4" System

	Article Description	Part.No	Price €
	Nr.1 Magnetic Base Nr.1 Barb Fitting Nr.2 Caps 1/4" Weight: 126 g	227.89	€ 11,00


1 Flexible Coolant Hose with Magnetic Base

	Article Description	Part.No	Price €
	Nr.1 Magnetic Base Nr.1 Hose Segments 1/4" 310mm Nr.1 1/4" Male NPT Valve Nr.1 Round Nozzle ID 1,5 mm Nr.1 Round Nozzle ID 3 mm Nr.1 Round Nozzle ID 5 mm Nr.1 Flare Nozzle 25 X 2 mm Nr.1 Barb Fitting Weight: 174 g	227.90	€ 20,00

2 Flexible Coolant Hoses with Magnetic Base


	Article Description	Part.No	Price €
	Nr.1 Magnetic Base Nr.2 Hose Segments 1/4" 310mm Nr.2 1/4" Male NPT Valve Nr.2 Round Nozzle ID 1,5 mm Nr.2 Round Nozzle ID 3 mm Nr.2 Round Nozzle ID 5 mm Nr.2 Flare Nozzle 25 X 2 mm Nr.1 Barb Fitting Weight: 218 g	227.99	€ 25,00

3 Flexible Coolant Hoses with Magnetic Base


	Article Description	Part.No	Price €
	Nr.1 Distributor Magnetic Nr.3 Hose Segments 1/4" 310mm Nr.3 1/4" Male NPT Valve Nr.3 Round Nozzle ID 1,5 mm Nr.3 Round Nozzle ID 3 mm Nr.3 Round Nozzle ID 5 mm Nr.3 Flare Nozzle 25 X 2 mm Nr.1 Barb Fitting Weight: 1,430 kg	227.91	€ 65,00

Coolant Hose Magnetic Base 1/2"


1 Flexible Coolant Hose with Magnetic Base

	Article Description	Part.No	Price €
	Nr.1 Magnetic Base Nr.1 Hose Segments 1/2" 320mm Nr.1 Barb Fitting Nr.1 1/2" NPT Ball Valve Nr.1 1/2" NPT Connector Nr.1 Round Nozzle Ø 5 mm Nr.1 Round Nozzle Ø 8 mm Nr.1 Round Nozzle Ø 11 mm Nr.1 Flare Nozzle 50 x 2 mm Weight: 910 g	227.85	€ 55,00


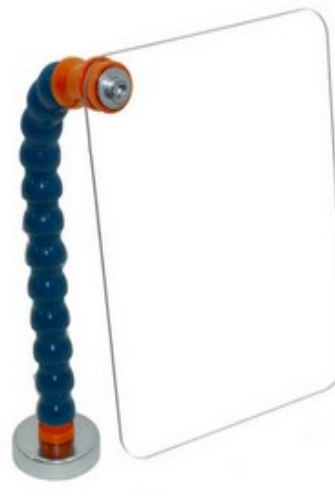

1 Flexibles Coolant Hose with Magnetic Base

	Article Description	Part.No	Price €
	Nr.1 Magnetic Base Nr.2 Hose Segments 1/2" 320mm Nr.1 Barb Fitting Nr.2 1/2" NPT Ball Valve Nr.2 1/2" NPT Connector Nr.2 Round Nozzle ID 5 mm Nr.2 Round Nozzle ID 8 mm Nr.2 Round Nozzle ID 11 mm Nr.2 Flare Nozzle 50 x 2 mm Weight: 1,150 kg	227.86	€ 65,00

3 Flexibles Coolant Hoses with Magnetic Base

	Article Description	Part.No	Price €
	Nr.1 Magnetic Distributor Nr.1 Barb Fitting Nr.3 1/2" NPT Valve Nr.3 Hose Segment 1/2" 320 mm Nr.3 1/2" NPT Connector Nr.3 Round Nozzle ID 5 mm Nr.3 Round Nozzle ID 8 mm Nr.3 Round Nozzle ID 11 mm Nr.3 Flare Nozzle 50 X 2 mm Weight: 1,300 kg	227.88	€ 80,00

Protection Shields

Set with Shield 150 x 200 mm				
	Article Description	Part.No	Price €	
	Shield Kit / Safety Splash Shield Provides protection from flying chips and splashing fluids.			
	3/4" Hose Segment 370 mm Shield 150 x 200 mm Weight: 910 g	305.10	€ 45,00	
	Replacement Shield 150 x 200 mm	305.11	€ 8,80	
Set with Shield 190 x 250 mm				
	Article Description	Part.No	Price €	
	Shield Kit / Safety Splash Shield Provides protection from flying chips and splashing fluids.			
	3/4" Hose Segment 370 mm Shield 190 x 250 mm Weight: 915 g	305.12	€ 48,00	
	Replacement Shield 190 x 250 mm	305.13	€ 11,40	
Set with Shield 250 x 300 mm				
	Article Description	Part.No	Price €	
	Shield Kit / Safety Splash Shield Provides protection from flying chips and splashing fluids.			
	3/4" Hose Segment 370 mm Shield 250 x 300 mm Weight: 920 g	305.14	€ 50,00	
	Replacement Shield 250 x 300 mm	305.15	€ 14,00	

Information Plastic Material

MATERIAL: HOSTAFORM ACETAL COPOLYMER

CERTIFICATIONS:

- **FDA** (FOOD APPROVALS)
- **NSF/ANSI STANDARD 61** (Drinking Water System Components)
- **UL LABORATORIES CERTIFIED**
- **WRAS** (Water Regulations)



Technical Data Sheet



1/4"

1/2"

3/4"

Internal Dimensions

Model	Diameter
1/4" System	Ø 7 mm
1/2" System	Ø 12 mm
3/4" System	Ø 20 mm

Technical Data

Model	Pressure	Range
1/4" System	4 bar	15 l/min
1/2" System	2 bar	30 l/min
3/4" System	1,5 bar	72 l/min

Temperatures

Melting Point	165°
Maximum Working Temperature	80°

List of Suitable Fluids

Acetone	Yes	
Acids		No
Alcohol Ethyl	Yes	
Bases Strong		No
Ammonium Hydroxide		No
Detergents Commercial	Yes	
Gasoline	Yes	
Lubricants	Yes	
Oils	Yes	
Greases	Yes	
Hypochlorite Ion Solutions		No



Dimensions 1/4" System ID 7 mm

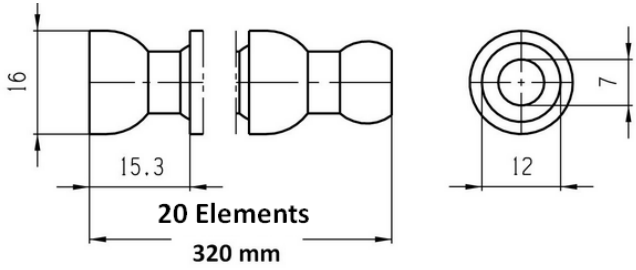
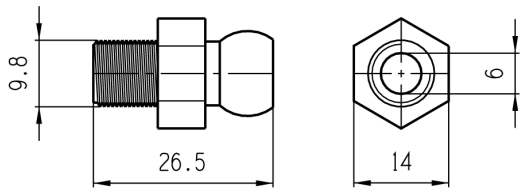
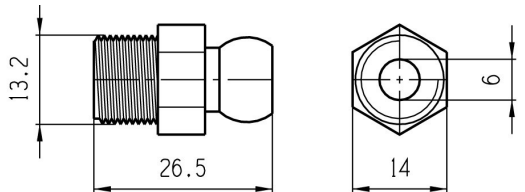
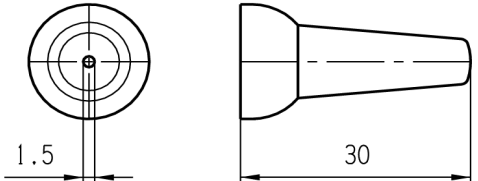
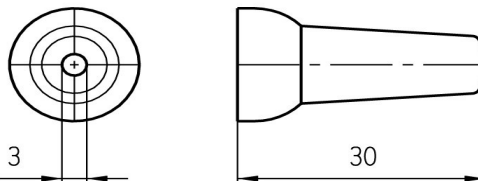
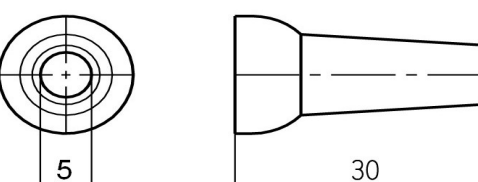
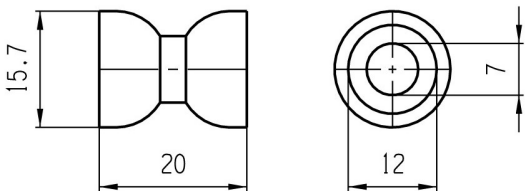
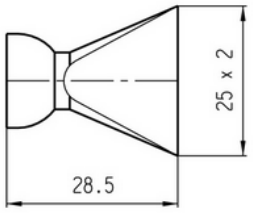
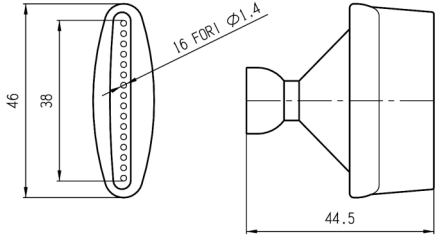
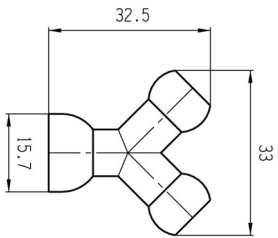
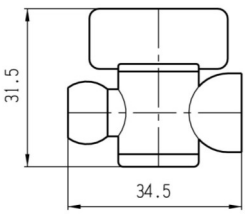
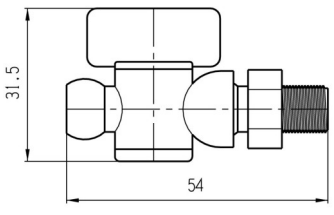
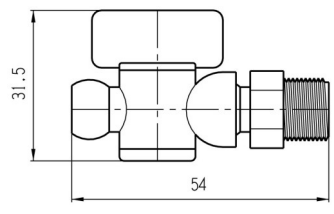
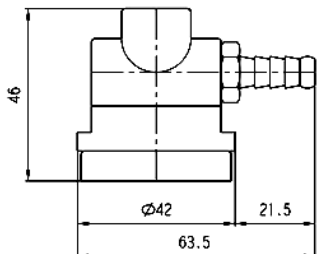
Figure	Part.No	Elements	Weight
	225.01	20	34 g
	225.11	66	108 g
	225.75	495	1,210 kg
	225.15	990	2,030 kg

Figure	Description	Part.No	Weight
	1/8" NPT Connector	225.02	2 g
	1/4" NPT Connector	225.03	2 g
	Round Nozzle ID 1,5 mm	225.04	2 g
	Round Nozzle ID 3 mm	225.05	2 g
	Round Nozzle ID 5 mm	225.13	2 g
	1/4" Double Socket	225.34	2 g

Dimensions 1/4" System ID 7 mm

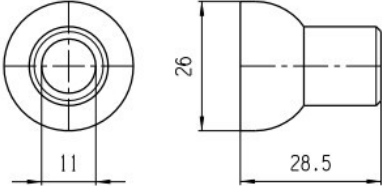
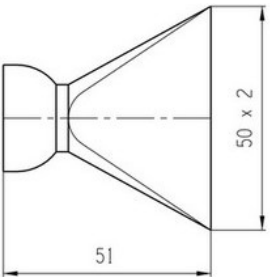
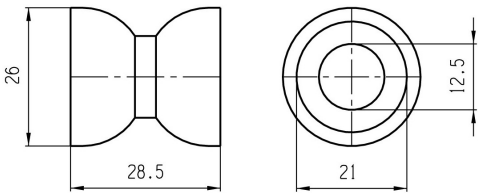
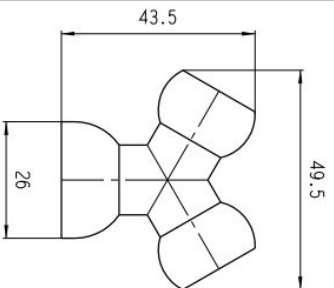
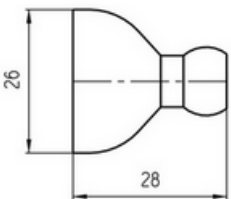
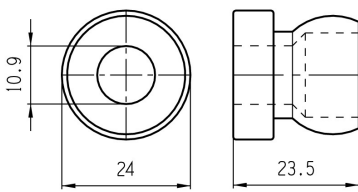
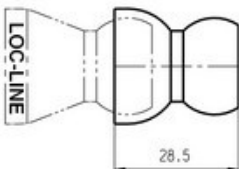
Figure	Description	Part No	Weight 1 pcs
	Flare Nozzle 25 X 2 mm	225.06	2 g
	Flare Nozzle 16 Hole ID 1,5 mm	225.14	8 g
	1/4" Y Fitting	225.32	4 g
	In-Line Valve 1/4"	225.33	8 g
	1/8" Male NPT Valve	225.36	10 g
	1/4" Male NPT Valve	225.38	10 g
	Magnetic Base 1/4 "	225.89	126 g

Dimensions 1/2" System ID 12 mm

Figure	Part.No	Elements	Weight
<p>26 19.75 16 Elements 320 mm 21.5 12.5</p>	225.07	16	82 g
	225.12	51	264 g
	225.70	384	2,012 kg
	225.17	765	4,320 kg

Figure	Description	Part.No	Weight 1
<p>20.95 36.5 22 10.9</p>	1/2" BSPT Connector * British Standard Pipe Thread	225.08	10 g
<p>16.66 36.5 19 10.9</p>	3/8" BSPT Connector * British Standard Pipe Thread	225.39	6 g
<p>21.33 36.5 22 10.9</p>	1/2" NPT Connector NPT American National Taper Pipe Threads	225.25	10 g
<p>17.14 36.5 19 10.9</p>	3/8" NPT Connector NPT American National Taper Pipe Threads	225.28	6 g
<p>5 49.5</p>	Round Nozzle ID 5 mm	225.09	6 g
<p>8 49.5</p>	Round Nozzle ID 8 mm	225.16	6 g

Dimensions 1/2" System ID 12 mm

Figure	Description	Part.No	Weight
	Round Nozzle ID 11 mm	225.18	6 g
	Flare Nozzle 50 X 2 mm	225.10	10 g
	1/2" Double Socket	225.35	4 g
	1/2" Y Fitting	225.21	10 g
	Adapter 1/2" to 1/4"	225.22	4 g
	Fixed Mount 1/2"	225.37	6 g
	Adapter for Loc-Line® 1/2"	225.24	6 g

Dimensions 3/4" System ID 20 mm

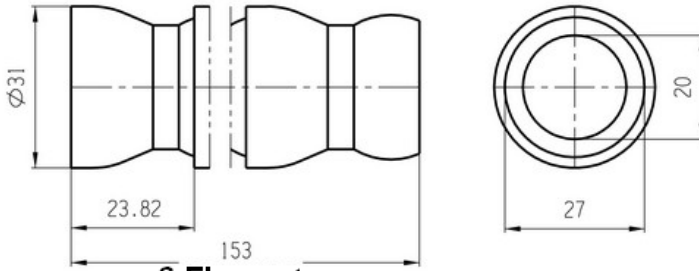
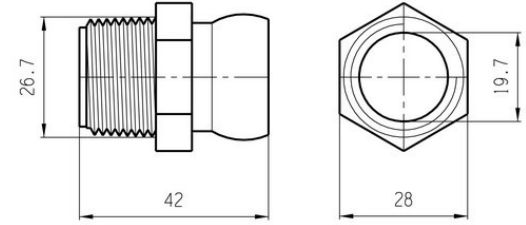
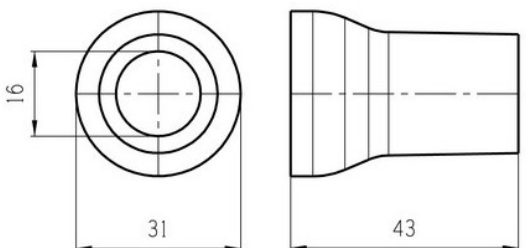
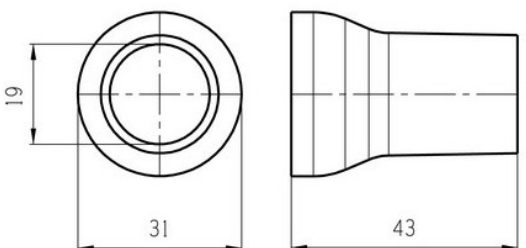
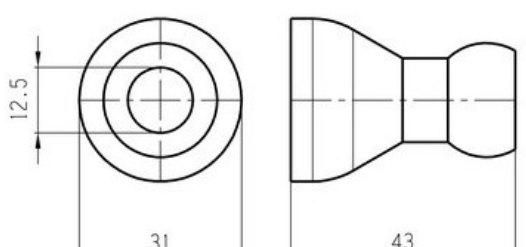
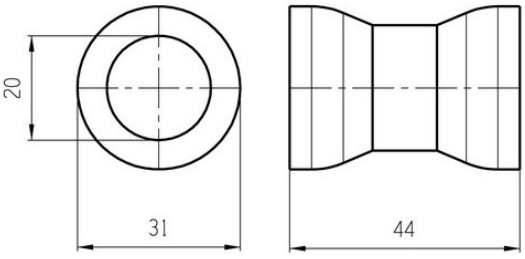
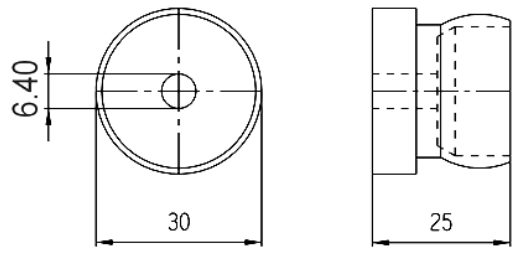
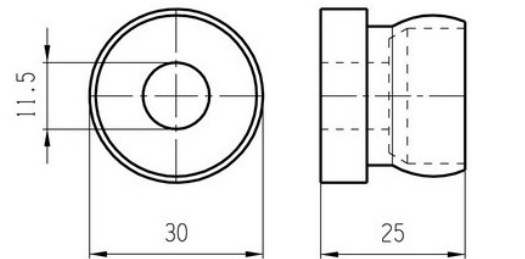
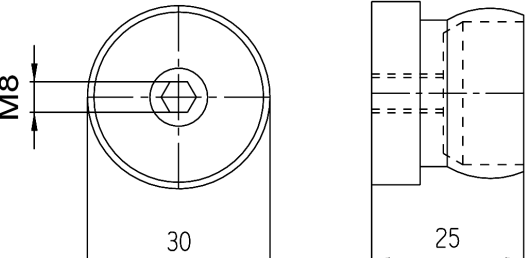
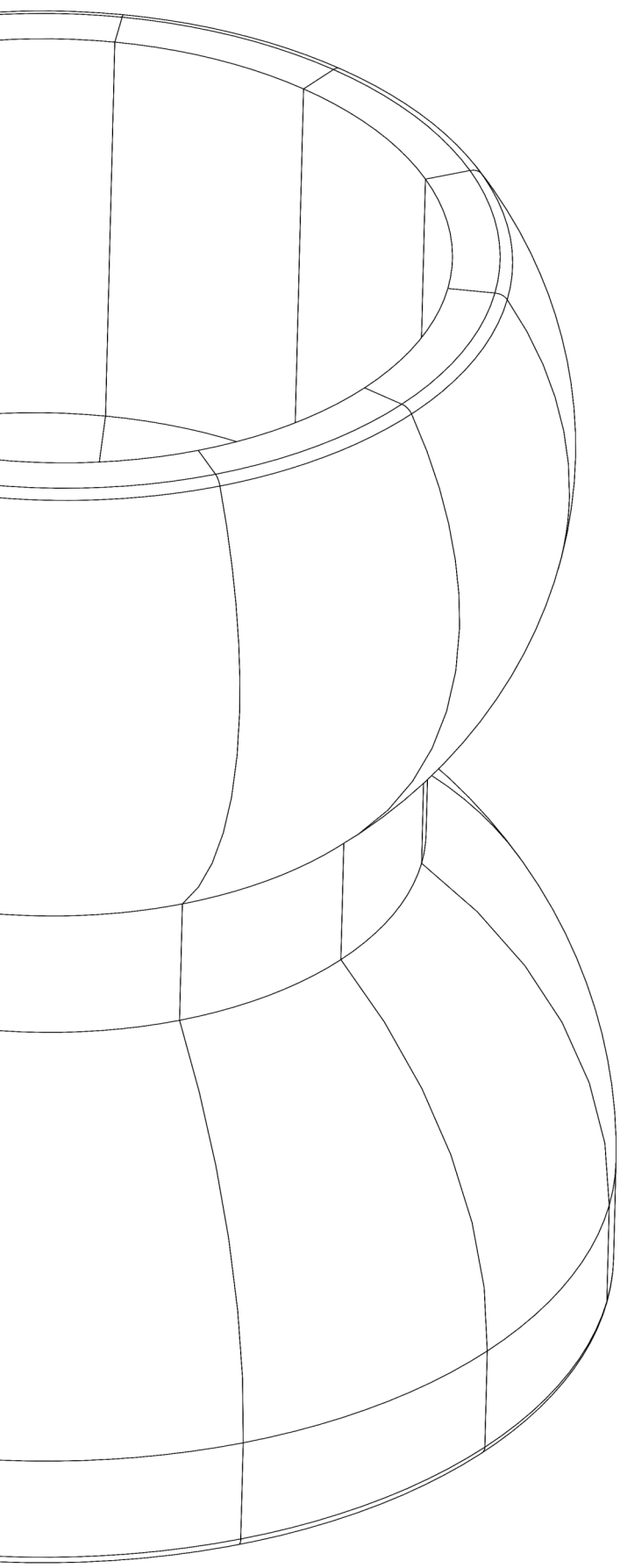
Figure	Part.No	Elements	Weight
	304.01	12	82 g
	304.02	42	287 g
	304.06	315	2,151 kg
	304.08	630	5,100 kg

Figure	Description	Part.No	Weight
	3/4" NPT Connector	304.10	12 g
	Round Nozzle ID 16 mm	304.12	8 g
	Round Nozzle ID 19 mm	304.14	8 g
	Adapter 3/4" to 1/2"	304.16	8 g

Dimensions 3/4" System ID 20 mm

Figure	Description	Part.No	Weight
	3/4" Double Socket	304.18	10 g
	Fixed Mount 3/4" ID 6,4 mm	304.20	8 g
	Fixed Mount 3/4" ID 11,5 mm	304.22	8 g
	Fixed Mount 3/4" M8	304.24	12 g



 **TUBOFLEX**

Modular Coolant Hose System

AWS dei F.lli Amodeo snc

Via: Walter Tobagi 5

20081 Abbiategrasso (Mi) Italy

Tel: +39.02.9422253

Fax: +39.02.94240059

EMail: info@aws-stampi.it

EMail: sales@tuboflex.it

TUBOFLEX IS DISTRIBUTED BY: